

GROUP 26 FRONT AXLE

GENERAL

OUTLINE OF CHANGE

- The installation method of the ball joint between the knuckle and the lower arm has been changed, and accordingly the removal and installation procedures of the axle hub and the knuckle have been revised. <EVOLUTION-VI>

AXLE HUB AND KNUCKLE <EVOLUTION-VI>

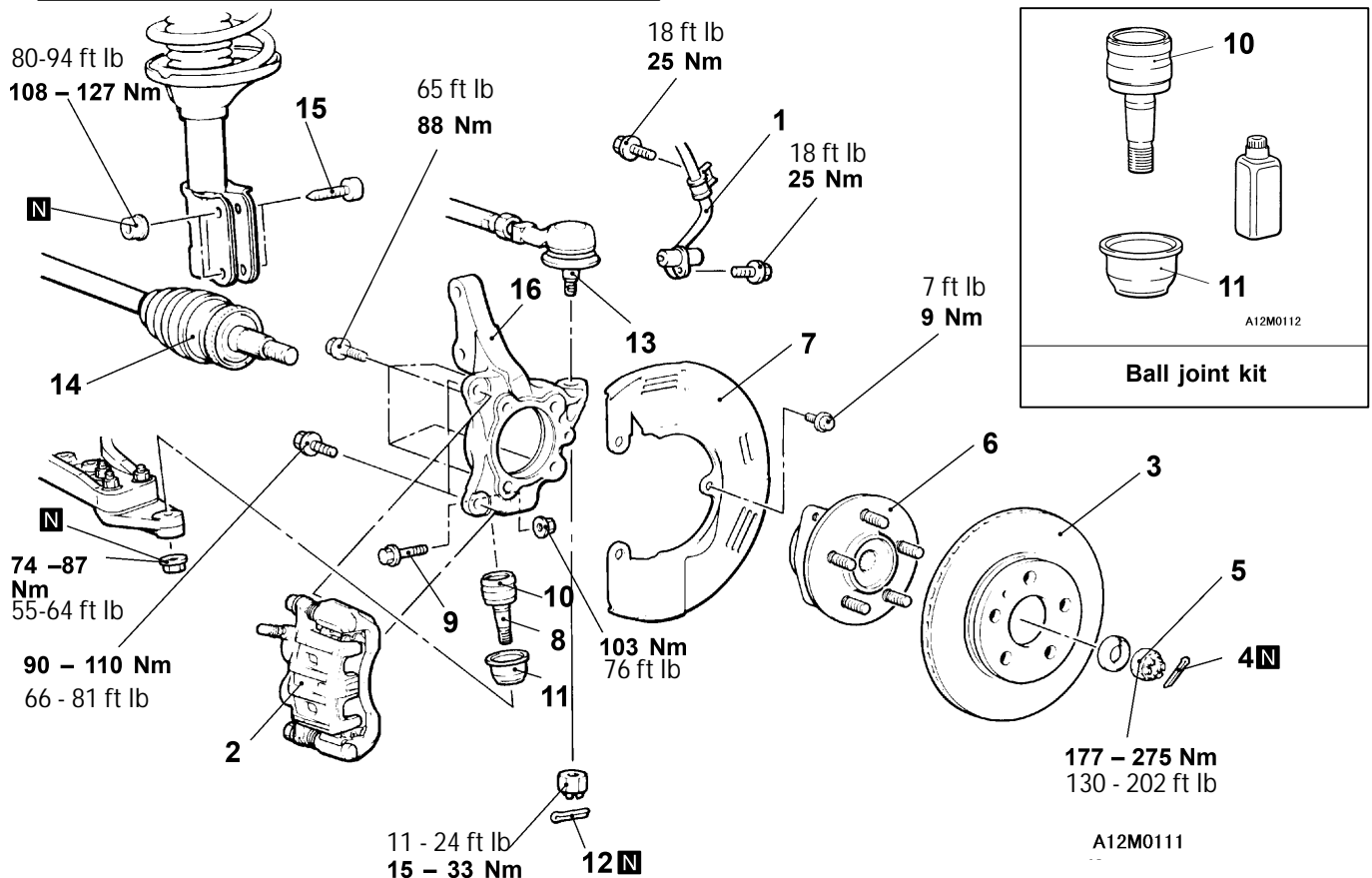
REMOVAL AND INSTALLATION

Caution

- For vehicles with AYC, be careful when handling the pole piece at the tip of the speed sensor so as not to damage it by striking against other parts.
- For vehicles with AYC, be careful not to damage the rotors installed to B.J. outer race during removal and installation of the drive shaft.

Post-installation Operation

- Check the Dust Cover for Cracks or Damage by Pushing it with Finger.



Removal steps

- Front speed sensor<Vehicles with AYC>
- Caliper assembly
- Brake disc
- Split pin
- Drive shaft nut
- Front hub assembly
- Dust shield
- Connection for lower arm ball joint
- Connection bolt for lower arm joint

- Lower arm ball joint
- Dust cover
- Split pin
- Connection for tie rod end
- Front drive shaft
- Front strut mounting bolt
- Knuckle

NOTE

Follow the conventional procedures for removal and installation service points.

FAILURE TO TORQUE TO THE SPECIFIED SETTINGS WILL SERIOUSLY SHORTEN THE LIFE OF THE BEARING AND INVALIDATE ANY BEARING MANUFACTURERS WARRANTY